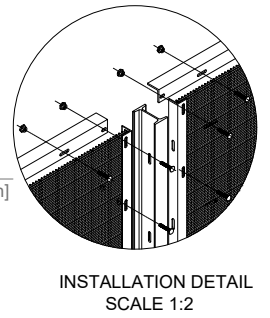
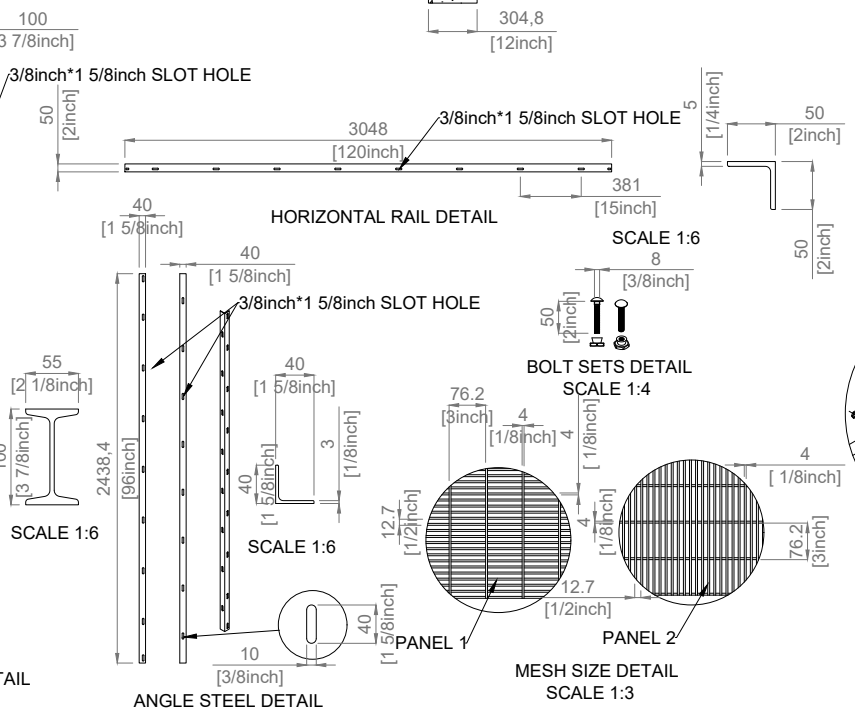
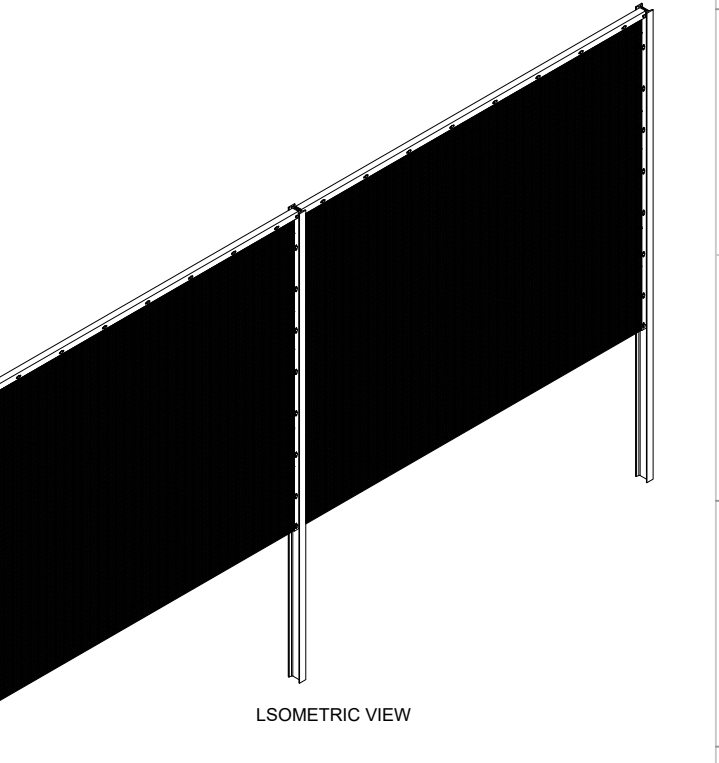


HIGH SECURITY FENCE		
NO.S	ITEM	SPEC
1	POST	141 3/4inch length, 3 7/8inch*2 1/8inch i-beam , galvanized + polyester powder coated(ral 9007)
2	PANEL 1	H*W:96inch*120inch, wire thickness : 8.5ga, mesh size :3inch*1/2inch, galvanized + polyester powder coated(ral 9007)
3	PANEL 2	H*W:96inch*120inch, wire thickness : 8.5ga, mesh size : 1/2inch*3inch, galvanized + polyester powder coated(ral 9007)
4	HORIZONTAL RAIL	120inch length , 2inch*2inch angle steel , 1/4inch thk . , galvanized + polyester powder coated(ral 9007)
5	ANGLE STEEL	96inch length , 1 5/8inch*1 5/8inch angle steel , 1/8inch thk . , galvanized + polyester powder coated(ral 9007)
6	BOLT SETS	m8*2inch carriage bolt & self-break nut



Rev	Date	Changed	By	Material	Spec
01	n/a	n/a		Mass	N/A
02					
03					
04					
05					
06					
07					

BMS SECURIFORCE SECURITY FENCE SYSTEM

Status by: **LUSIO FILIBA**
 Date: 2026-05-27

Designer: **LUSIO FILIBA**
 Date: 2026-05-27

DIN A4 Scale 1:1
SECURITY FENCE SYSTEM

PROPRIETARY & CONFIDENTIAL